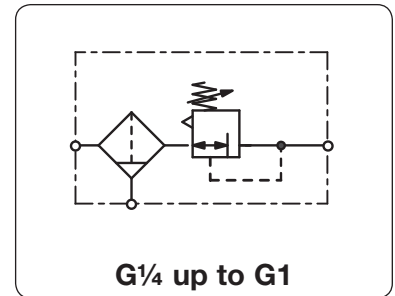


"Maxi" Filter Pressure Regulator

B20 / B21

Description	High-capacity filter regulator of modular design with exchangeable inserts. Can be interlocked with lubricator without needs for double nipples. Each "maxi" device may be taken from a fixed line in seconds by simply removing the mounting bolts.		
Media	compressed air or non-corrosive gases		
Supply pressure	max. 17 bar		
Adjustment	by plastic knob with snap-lock at B20, by T-handle with locknut at B21		
Relieving function	relieving	Gauge port	G $\frac{1}{4}$ on both sides of the body, screw plugs supplied
Bowl	metal version with sight glass	Filter element	40 μ m, optionally 5 μ m, made of polypropylene
Drainage	manual drain as standard, optionally semiautomatic or automatic drain for max. 12 bar		
Temperature range	0 °C to 70 °C / 32 °F to 158 °F up to 50 °C / 122 °F for semiautomatic or automatic drain version		
Material	Body: zinc die-cast Knob (B20): glass fibre-reinforced plastic Bowl: zinc die-cast Elastomer: NBR/Buna-N	Spring cage: zinc die-cast T-handle (B21): steel Sight glass: polyurethane Inner valve: brass and plastic	



Dimensions			Bowl		Flow rate	Connection thread	Pressure range	Order number
A	B	C	Design	Capacity				
mm	mm	mm	made of / with	l	m 3 /h*1	l/min*1	G	bar

"Maxi" filter regulator						with manual drain, relieving, without gauge, 40 μ m filter element, max. 17 bar		B20				
89	289	175	metal/sight glass	0.3	132	2200	G $\frac{1}{4}$	0.2... 4.0	B20-02WJB			
								0.3... 9.0	B20-02WJC			
								0.5... 17	B20-02WJD			
								186	3100	G $\frac{3}{8}$	0.2... 4.0	B20-03WJB
								0.3... 9.0	B20-03WJC			
								0.5... 17	B20-03WJD			
111	289	175	metal/sight glass	0.3	408	6800	G $\frac{1}{2}$	0.2... 4.0	B20-04WJB			
								0.3... 9.0	B20-04WJC			
								0.5... 17	B20-04WJD			
								420	7000	G1	0.2... 4.0	B20-08WJB
								0.3... 9.0	B20-08WJC			
								0.5... 17	B20-08WJD			

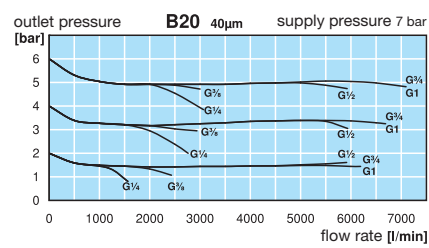
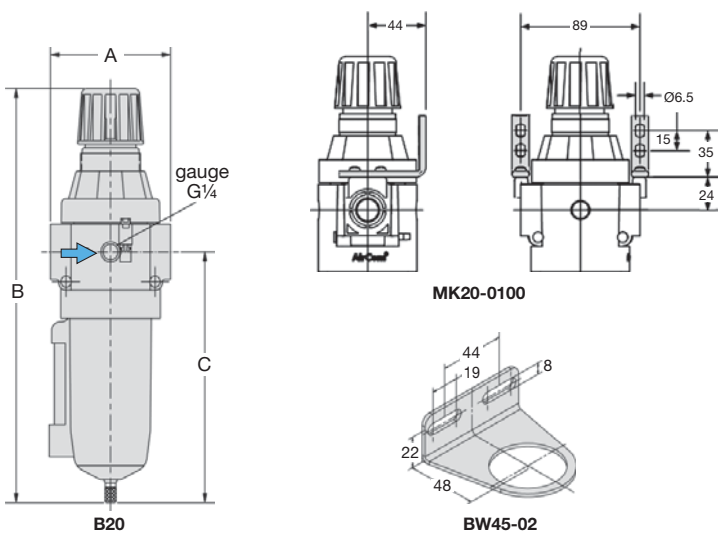


Special options, add the appropriate letter		
T-handle	including locknut, total height 329 mm	B21-0..W..
filter element 5 μm		B20-0..WG.
NPT	connection thread	B20-0..W..N
non-relieving	without relieving function	B20-0..K
semiautomatic drain	RK500SY, max. 12 bar	B20-0..W..M
automatic drain	SA605MD, max. 12 bar	B20-0..W..R



Accessories		
pressure gauge	\varnothing 63 mm, 0...*2 bar, G $\frac{1}{4}$	MA6302-..*2
mounting bracket	mounting at the spring cage	BW45-02
mounting nut	made of plastic	M45x1,5K
	made of aluminium	M45x1,5A
mounting bracket set	made of steel	MK20-0100

Filter regulator
17



*1 at 7 bar supply pressure, 6 bar outlet pressure and 1 bar pressure drop *2 04 = 0...4 bar, 10 = 0...10 bar, 25 = 0...25 bar

Extensions: see chapter for FRL service units
Gauges: see chapter for measuring devices
Spare parts: see separate spare parts list

PDF CAD
www.aircom.net

Order example:
B20-02WJB